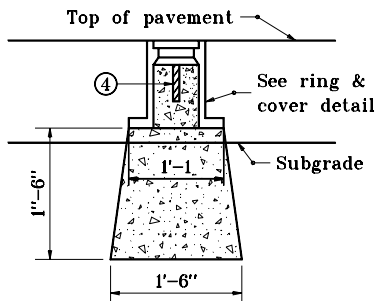
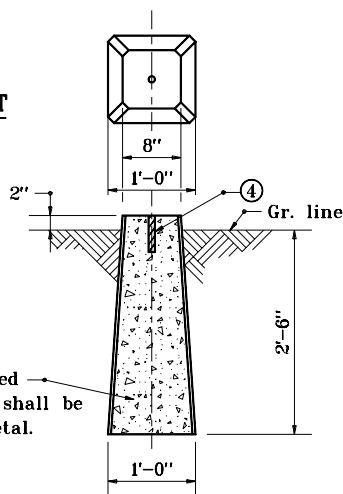


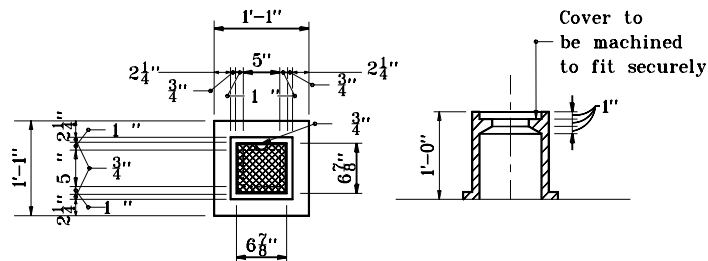
INSTALLATION FOR VITRIFIED BRICK OR BITUMINOUS SURFACE ON CONCRETE BASE (TYPE A)



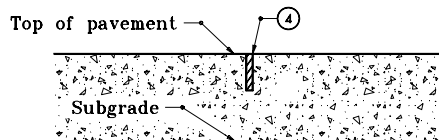
INSTALLATION FOR FLEXIBLE PAVEMENT (TYPE B)



INSTALLATION OUTSIDE OF PAVEMENT (TYPE C)



SURVEY LINE MONUMENT RING & COVER

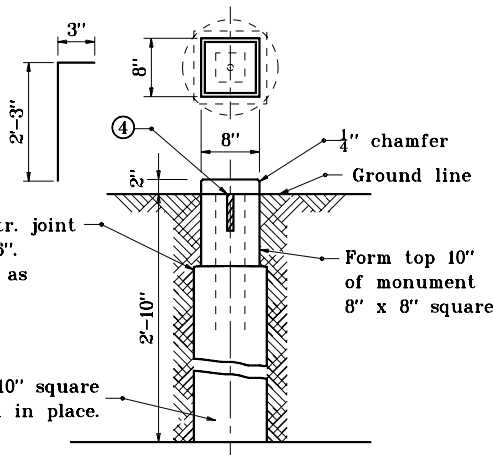


INSTALLATION FOR CONCRETE PAVEMENT (TYPE D)

#4 for optional constr. joint

Optional constr. joint
4 - #4 x 2'-6".
Bend in field as shown.

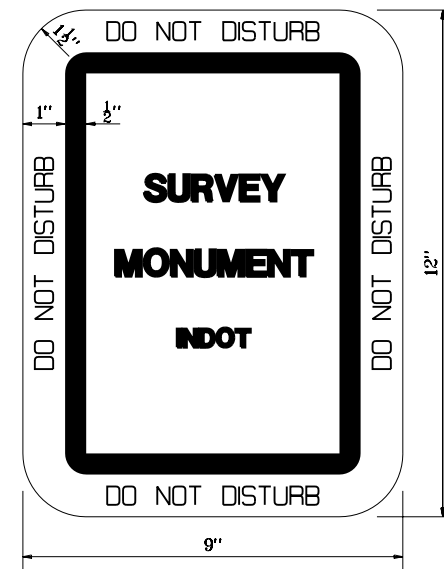
12"Ø or 10" x 10" square hole poured in place.



OPTIONAL INSTALLATION FOR TYPE C MONUMENT

GENERAL NOTES

1. Sign shall be white background with black copy.
2. One steel type A or 4" x 4" wood post required.
3. Letter height shall be as follows:
Border: 1/2" series D
Line 1: 1" series B
Line 2: 1" series B
Line 3: 1" series B
4. 1"Ø x 5" steel rod

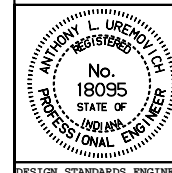


INDIANA DEPARTMENT OF TRANSPORTATION

SURVEY LINE MONUMENTS

SEPTEMBER 1997

STANDARD DRAWING NO. E 615-SLMN-01



DETAILS PLACED IN THIS FORMAT 11-15-99

/s/ Anthony L. Uremovich 11-15-99
DESIGN STANDARDS ENGINEER DATE

/s/ Firooz Zandi 11-15-99
CHIEF HIGHWAY ENGINEER DATE

DESIGN STANDARDS ENGINEER

ORIGINALLY APPROVED 9-01-97